

# CHUNK 700MM

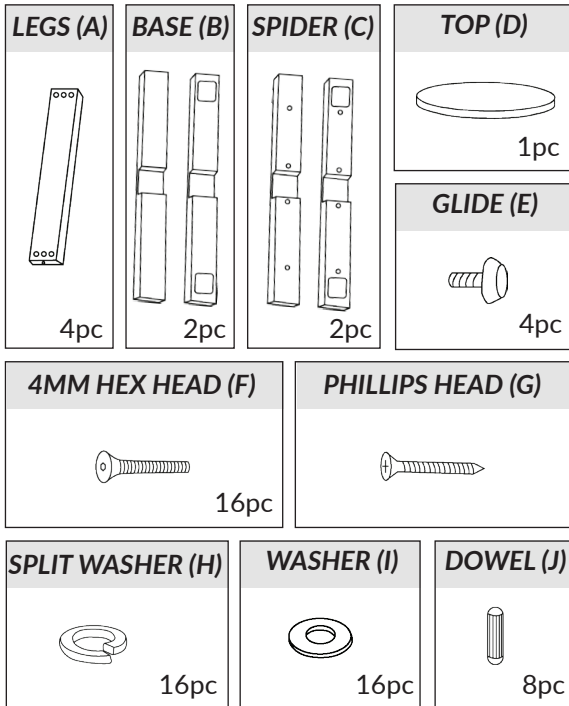
**ez** ASSEMBLY INSTRUCTIONS

Coffee Tables

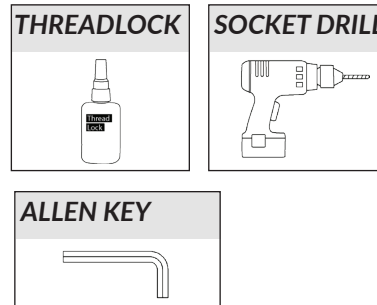


scan me

## PARTS:



## TOOLS (NOT INCLUDED):



We strongly recommend applying thread lock to the full length of all screws and using an impact drill with attachment if possible. Scan the QR code with a phone or tablet to access the assembly video.

### WARNING:

Always take care with a socket drill, especially when screwing into the top.

## INSTRUCTIONS:

